

Refrigerator Door Opening System (Speech Recognition based)

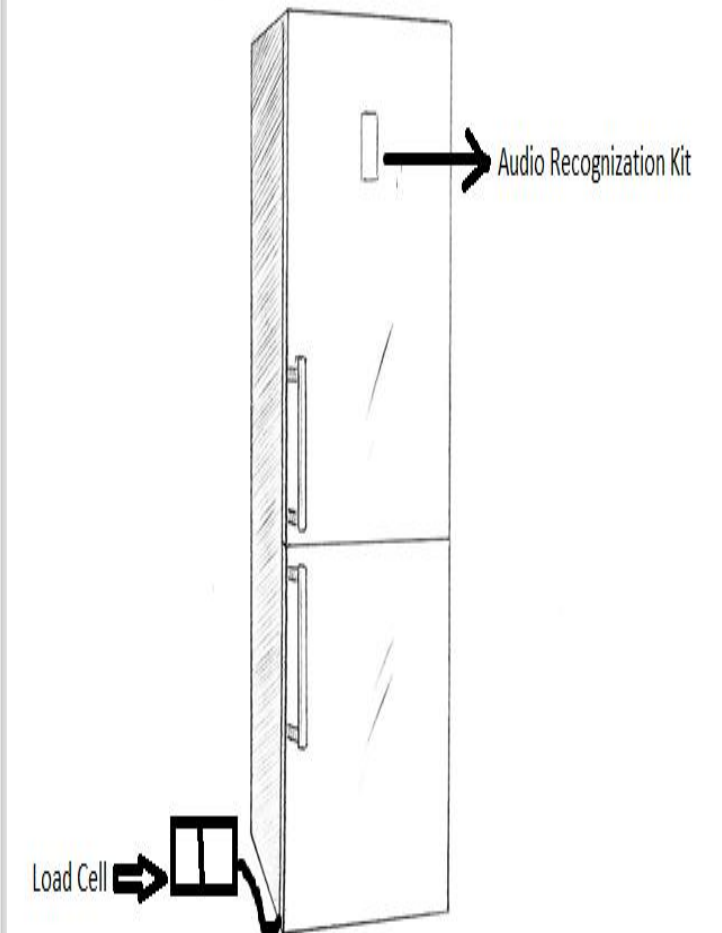
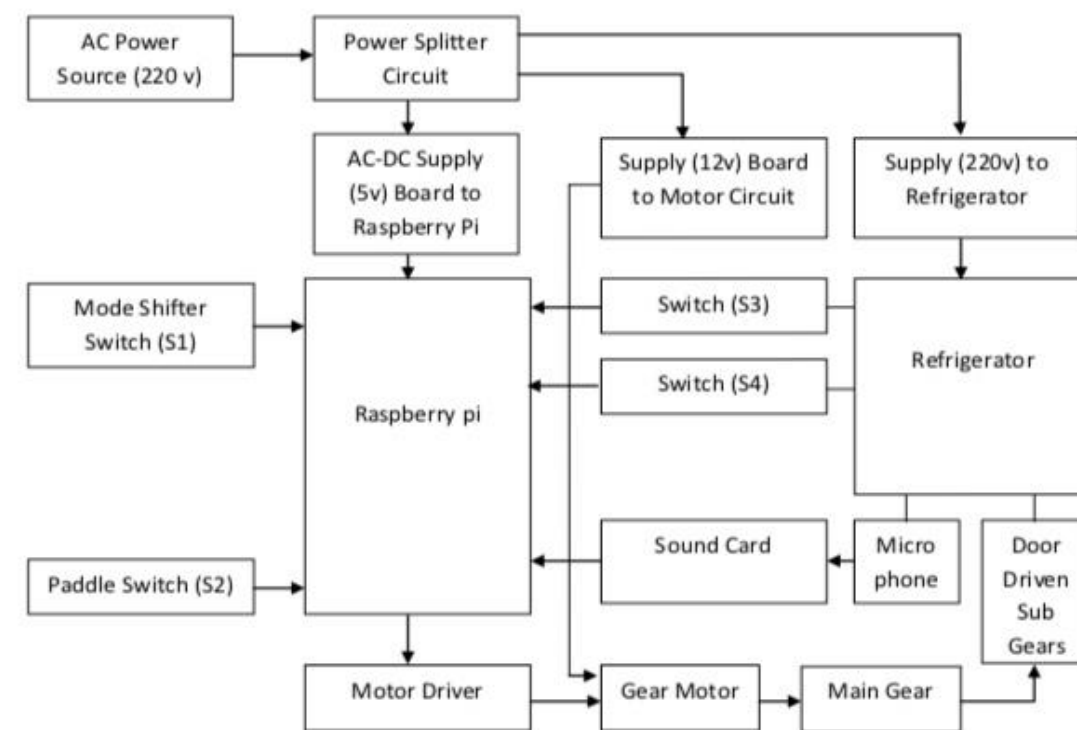


Introduction

The proposed invention consists of some modifications on the door of a refrigerator. This innovation uses two different modes for opening and closing the door of the refrigerator.

FOOT PAD SYSTEM- In this method we are using a switch which will be placed near the door of refrigerator on which the person can put his/her foot. As the foot is placed on the pad, the switch will transmit the signals to the motor which in turn opening of the refrigerator door. By releasing foot from the pad, the door can be unlocked easily.

VOICE RECOGNITION BASED DOOR OPNING SYSTEM- In this method we are using a speech recognition sensor which will be attached on the upper area of the refrigerator, when it will receive the voice command like 'OPEN' then the signal will be processed through Raspberry and the door will get open.



Prepared By:
Dr. Rinkesh Mittal