

ECO –ZONE(ECO-COOK)



Introduction

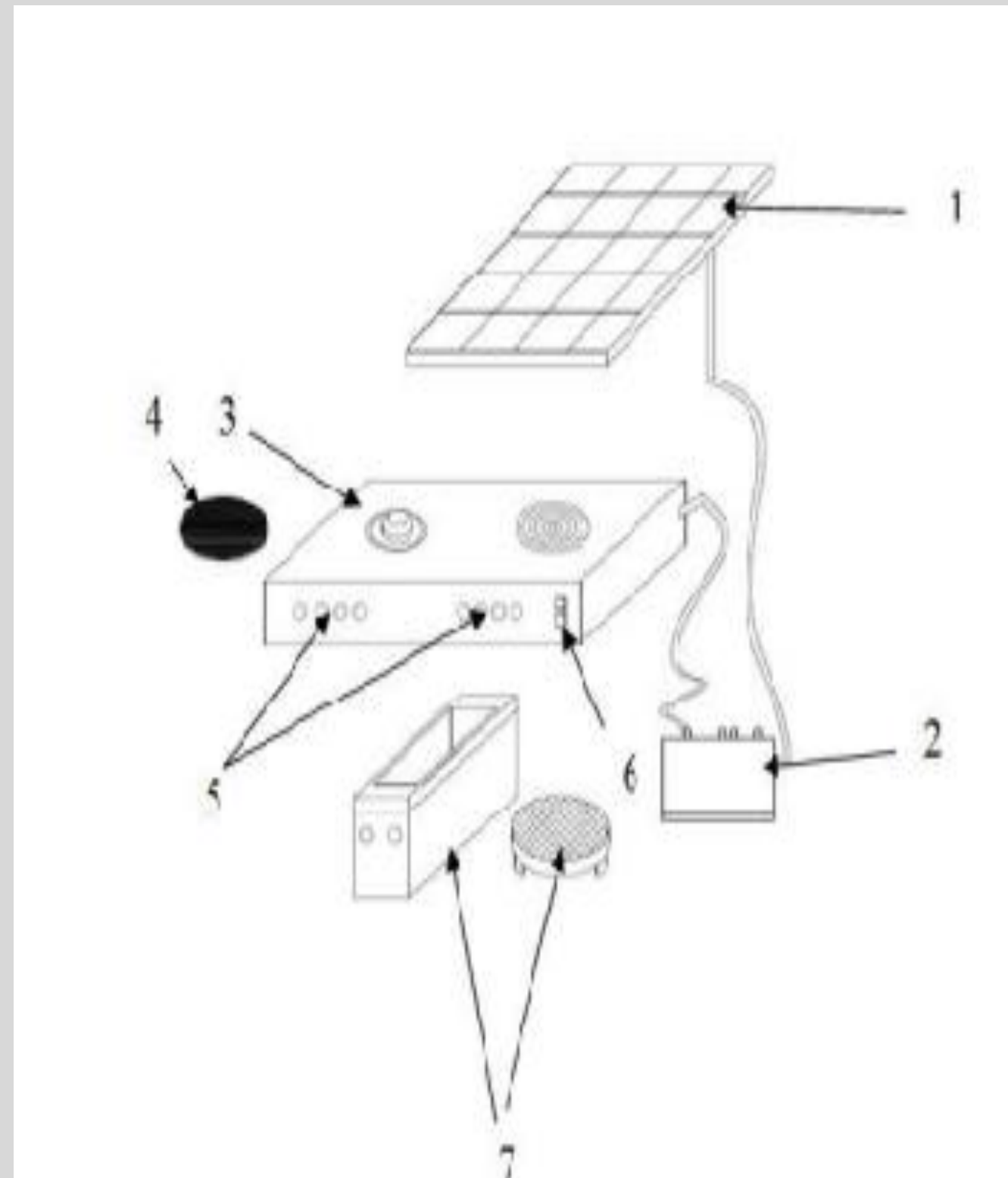
The proposed invention **ECO-ZONE** is a big step moving towards energy conservation , ECO-ZONE is a alternative to the normal household cook stove . It eliminates the problem of using LPG or Wood or Any other natural non renewable resources .

Principle :It works on Principle of Solar Energy . It converts Solar Energy into Electrical Energy which help to produced Heat in form of Flame as well as the with the induction coil , it leads to the most efficient way of cooking ,

Features:

- 1) It comes with the Safety features which protect from electrical shock , and the stove only works and when it comes in contact with the base of utensils.
- 2) It is installed with Cooling fans which helps to reduce the temperature of the Stove resulting in longer and better continuous use of Stove .
- 3)The Gas Stove is made up of wooden and metallic material which helps to prevent rising temperature and melting of Material .
- 4) It comes with ordinary Wauls for temperature and heat control.

Layout



Details

- 1.Solar panel
- 2.Battery
- 3.Natural Fire stove
- 4.Cookware Pans
- 5, Temperature Nobs
- 6 Security Switch
- 7.Grill

Prepared By:
Dr. Pooja Sahni